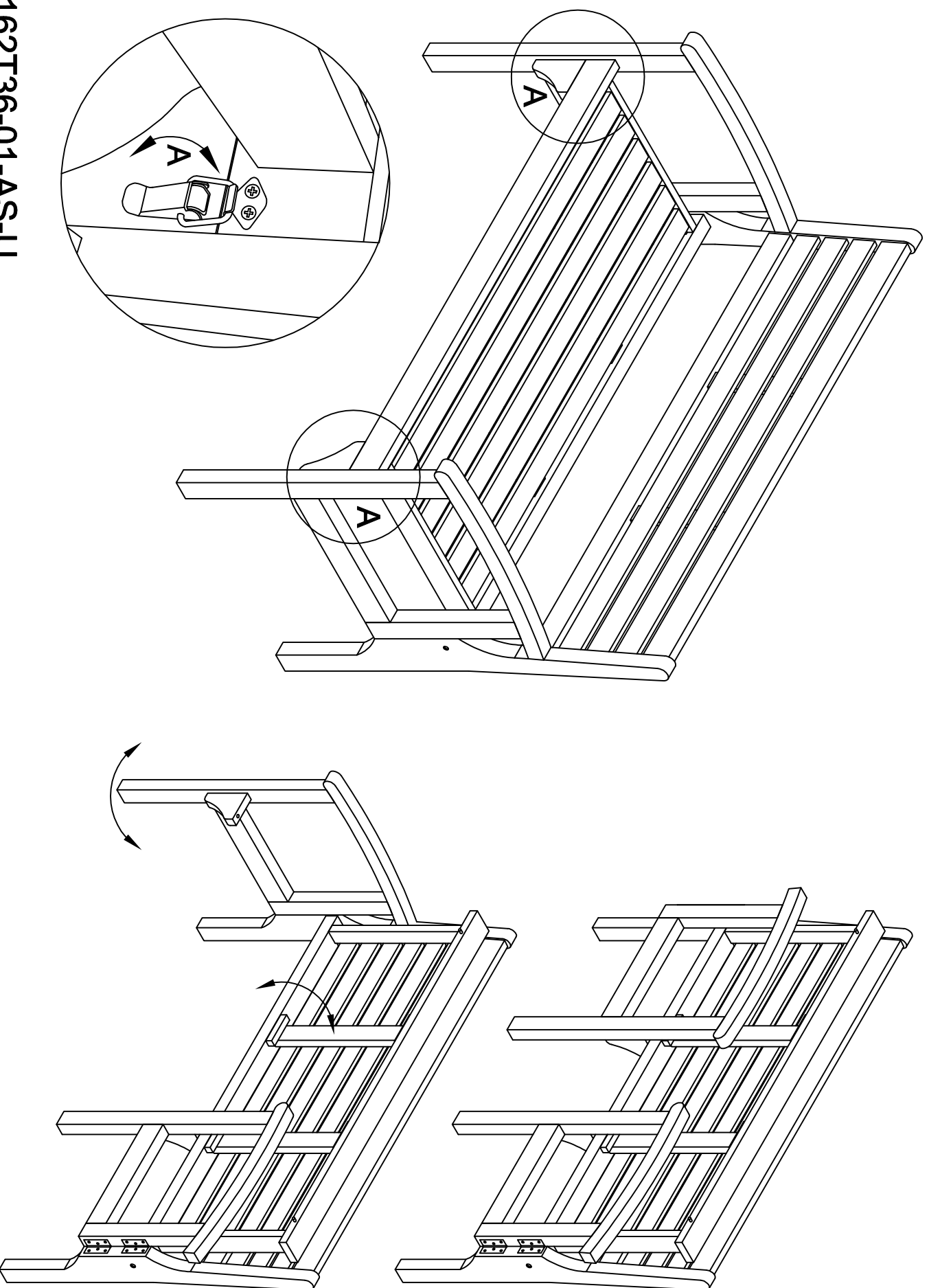


# USAGE INSTRUCTIONS



#21162T36-01-AS-U